

# DREAMSCAPE BRAND ALUMINUM LANDSCAPE EDGING Specification Sheet

## ⇒ Manufacturer

Dreamscape Outdoor Living and Garden

209 N. Main St.  
Suite 112  
Ann Arbor, MI  
48104

Phone #  
1-866-939-4300

## Internet Home Page:

[www.yardproduct.com](http://www.yardproduct.com)

## Material Purchasing & Handling

Can be coordinated directly with manufacturer or authorized distributor of **Deamscape**. Call for quotations and material coordination. Material should be ordered and accepted in original shipping cartons of standard size. Please note quantities per box on inside of brochure or from this sheet.

Material should be stored in a flat area with boxes protected from rain.

## ⇒ Description

**Deamscape** aluminum landscape edging is a rust-proof edging designed to be inserted into ground matter for use in landscape areas requiring permanent and distinct separation of different materials. IE: To separate grass from mulch, pebble stone from mulch, paver bricks from walkway or grass, etc.

Use **Deamscape** aluminum landscape edging to differentiate landscape beds from one another and to contain matter (ie: rocks, mulch, brick) in a defined area.

## Basic Uses

Landscape edging as a border between planting beds, pathways, drives, mulch & rock division, or anywhere separation and definition is required.

## Advantages- General

- Lifetime performance makes the cost of aluminum edging lower than any other product.
- The resilient flexibility of aluminum allows for smoother curves.
- Crisp, straight lines can be achieved with minimal effort.
- High strength aluminum alloy withstands years of maintenance abuse, and is non-toxic with excellent corrosion resistance and high thermal conductivity. Aluminum edging is environmentally friendly & recycled.
- Long and wide grooved stakes help reduce the effects of frost heaving.
- Aluminum edging is light weight, forms easily and can be cut to length with minimal effort at the construction site lowering installation costs so budgets can be maintained.
- Aluminum edging will never rust, crack, rot or become brittle.

## Advantages- Specific

- **Deamscape** edging has rigid and grooved design allowing edging to retain solid grip in the ground.
- Dual punch out pockets for stakes allow stakes to be driven down in a straight line.
- Wider more rigid stake design will ensure a lifetime of performance.
- Extra long stakes are available when extra depth is required for sandy soil.
- End stake adapters that allow for adding stakes at all start and stop points, and provide extra strength.
- Superior locking system. Dual stakes to ensure locking remains permanent.
- No overlapping of edging. Connection allows for true crisp lines and an invisible connection.
- No compromise on thickness of residential or commercial edging.
- We offer superior customer service. Most orders are shipped the same day with 100% on time delivery.

## Sizes & Applications

### 1/8" x 4"

Primarily used in residential and light commercial applications where greater flexibility is desired. Prolonged straight runs are possible but will require additional labor. Applications include, but are not limited to, planting beds, tree rings, paver walkways and paths. Edging is packaged 15 pieces (240') per box (16 ft sections) or 15 pieces (120') per box (8 ft sections).

### 1/8" x 5.5"

Similar applications as 1/8" x 4" but used where additional depth would be beneficial. Edging is packaged 15 pieces (240') per box (16 ft sections).

### 3/16" x 4"

Primarily used in commercial, industrial, institutional projects, and other high traffic areas. Straight runs are easier than with 1/8" material with only slightly reduced flexibility. Applications include, but are not limited to, driveways, asphalt, maintenance strips, running tracks, and pathways. Edging is packaged 10 pieces (160') per box (16 ft sections).

### 3/16" x 5.5"

Similar applications as 3/16" x 4" but used where additional depth would be beneficial. Edging is packaged 10 pieces (160') per box (16 ft sections).

## Available Finishes

All sizes available in Mill Finish (Natural Aluminum Color) and Black Anodized. Green, Brown, & Black Painted finish available in 1/8" x 4" sizes (8 ft & 16 ft) only.

**(Continued Next Page)**

## ⇒ Technical Data

Edging to be manufactured from 6063 extruded aluminum alloy of T-6 hardness with interlocking system and 5 stake punch-outs fabricated in each 16' strip or 3 stake punch-outs for each 8' strip.

### Locking System

Sections to lock together without offset or double thickness at the joints and secured with two 12" stakes at every joint.

### Thickness (Size)

Aluminum edging available in 1/8" thickness for residential or light commercial applications where flowing curves are desired. Applications include, but are not limited to, bed division, walkways, and light brick paver work.

3/16" thickness is available for commercial, industrial, and institutional applications where strength and durability are a concern. Applications include, but are not limited to, walkways, asphalt borders, running tracks, and maintenance strips.

### Depth

Aluminum edging of either thickness available in 4" or 5.5" depths.

### Finish

Mill finish constitutes a natural aluminum finish as found on extruded parts.

Black anodized is available in all sizes. Finish is not a paint but rather a die that is electrically absorbed into the outer layers of the metal.

Painted finish available in black, brown, or green paint. Available in 1/8" x 4" size only (both 8 ft & 16 ft sections).

### Stakes

Stakes to be a minimum of 12" long, secured 1/2" below top of edging, and locked into place. Stakes to be placed on inside of bed areas.

## ⇒ Installation

### Site Inspection

Check to ensure that all underground lines, irrigation hoses, and other cables are installed below the maximum depth of edging to be used.

### Trench

Edge all landscape beds, maintenance strips, and/or where noted on design plan. Define the area to be edged using string, garden hose, or paint. Using a spade or mechanical trencher, cut a trench along area to be defined to depth so top of edging will not exceed 1/2" above finished grade.

### Install

Install edging with radius edge and ridges pointing up. Stake pockets should be on inside of bed.

### Staking/Connecting

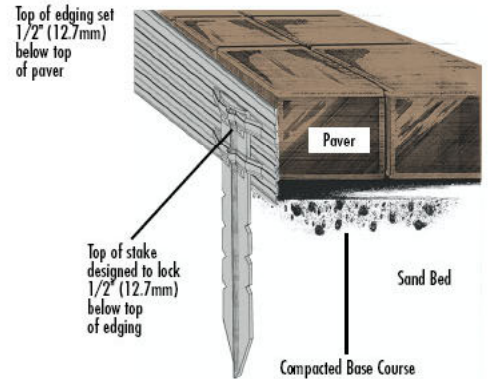
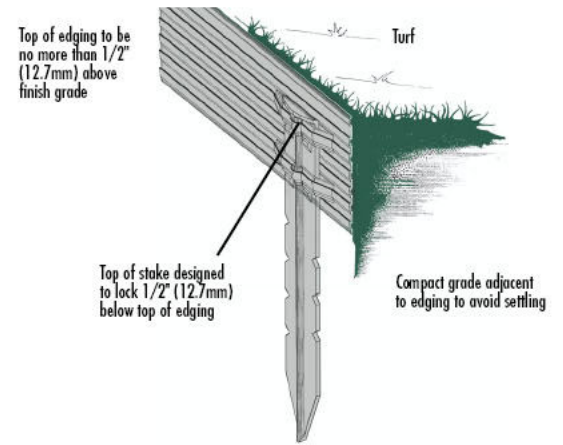
5 stakes per 16' section and 3 stakes per 8' section are included with material. Stakes are to lock 1/2" below top of edging and to be placed in every available pocket.

### End Stake Adapters

Use supplied end stake adapters at all start/stop points where edging section does not end at desired point. Use to splice pieces of cut edging together.

### Back Filling

Back fill on both sides of edging during installation, leaving no more than two sections unsupported at one time. Compact back fill along edging ensuring that top edge is no more than 1/2" above finish grade.



### Contractor Specifications:

Job Name \_\_\_\_\_

Contractor \_\_\_\_\_ Date: \_\_\_\_\_

All Aluminum landscape edging shall be \_\_\_\_\_ thick X \_\_\_\_\_ deep X \_\_\_\_\_ long,

having a \_\_\_\_\_ finish as painted or anodized at the factory.



Dreamscape Outdoor Living and Garden

209 N. Main St.  
Suite 112  
Ann Arbor, MI  
48104

Phone #  
1-866-939-4300  
www.yardproduct.com